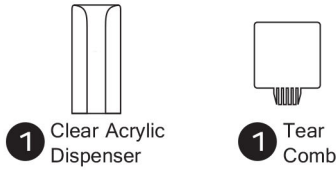


# GETTING STARTED WITH THE DISPENSE-O-NET® SYSTEM!

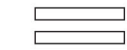


## Package contents:



1 Clear Acrylic Dispenser

1 Tear Comb



2 Power strips



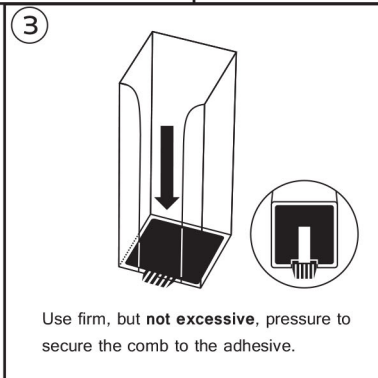
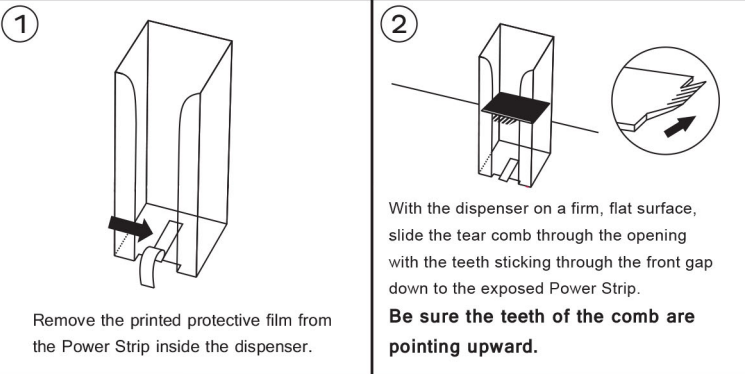
2 Plastic screw anchors



2 Phillips head screws

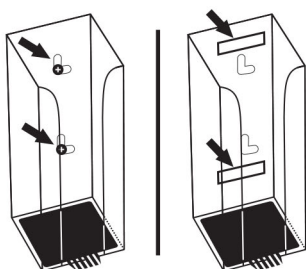
Please follow the installation instructions in the **CORRECT ORDER** as some actions are not easily reversible.

## 1 Assemble Dispenser:

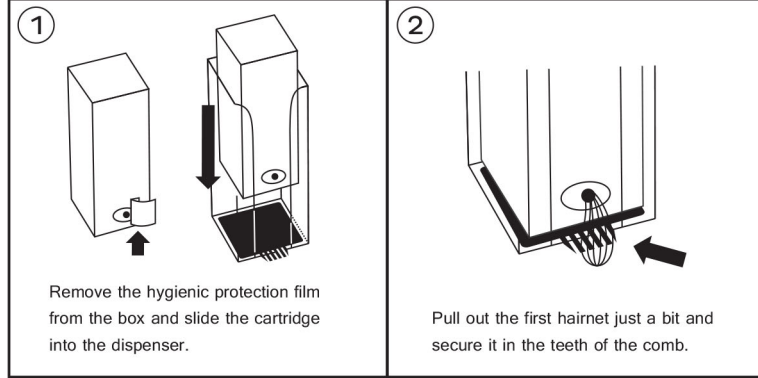


## 2 Affix to Wall:

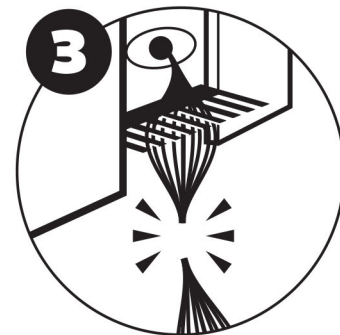
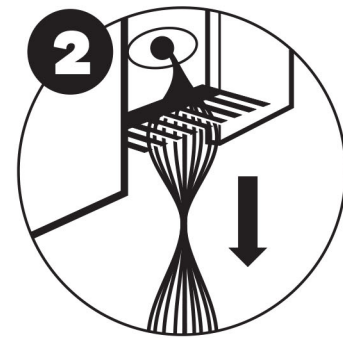
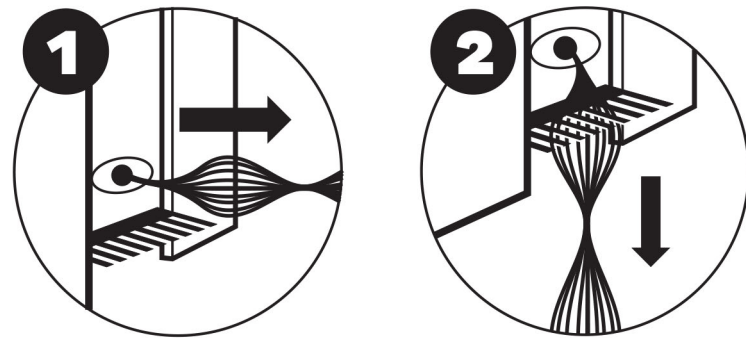
Choose an area near the entryway to the workspace. The dispenser should be approximately **4½ - 5 feet** from the ground with at least **12 inches of clearance below the dispenser**. Use the enclosed screws (and anchors, if necessary) or Power Strips to affix the dispenser to the wall.



## 3 Load Cartridge:



## Usage Directions



For more information, detailed instructions, and videos please visit: [Safeko.com/DON](http://Safeko.com/DON)

# DISPENSE-O-NET® SYSTEM!

Avoid a bad hair day in your kitchen!



Dispense-O-Net® is a registered trademark of HNC Enterprises, LLC, home of Safeko® and The Hairnet Company.

HNC Enterprises, LLC  
Brooklyn, NY 11236  
[www.Safeko.com](http://www.Safeko.com)